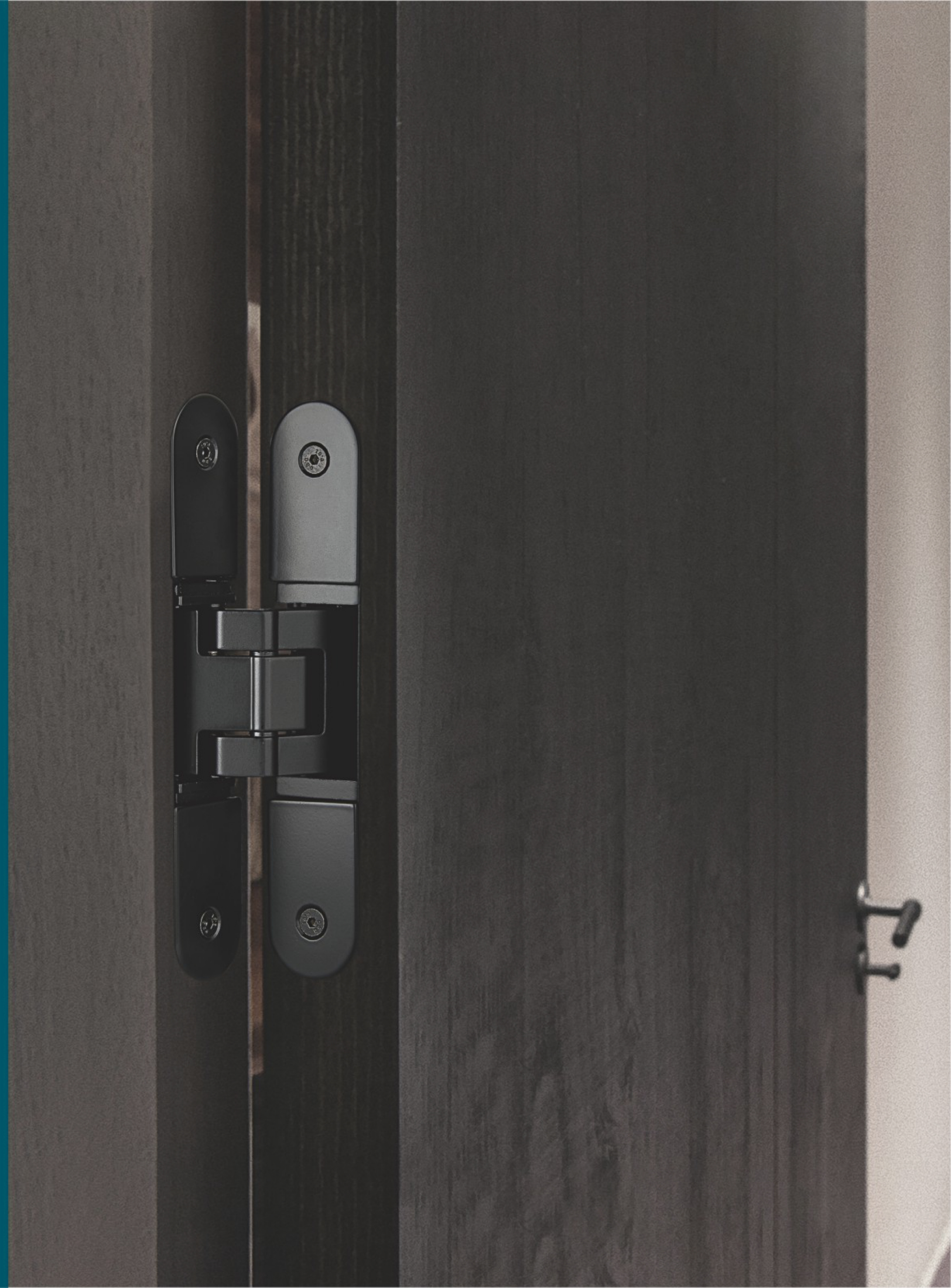


HINGES AND
HARDWARE ACCESSORIES
SERIES

06

DOOR HARDWARE

Manufactured with precision,
this is the only way to infuse a product with a soul.



HINGE
SERIES

HG.3D.160MM

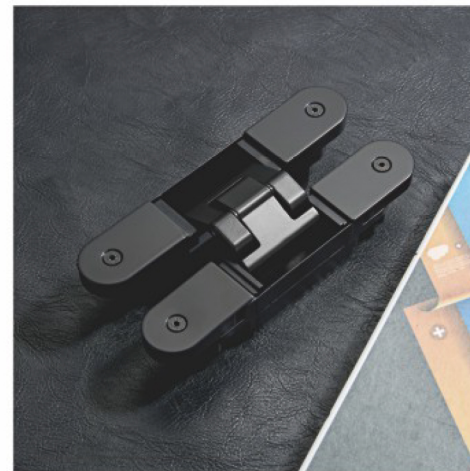
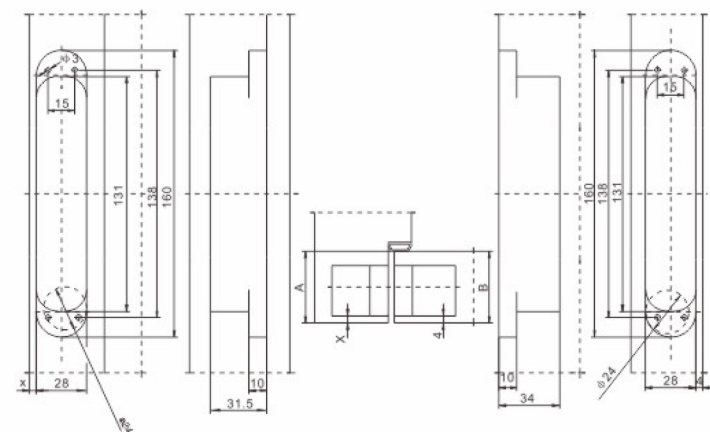
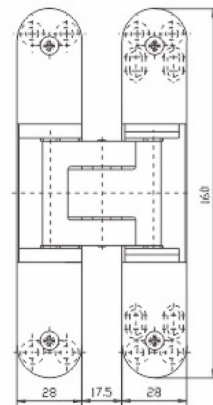


FEATURES

Material	zinc alloy
Load capacity	80 kg/ 2 pcs
Height	160mm
Widths	frame:28mm / leaf:28 mm
Depth	frame: 31mm/ leaf: 33.5mm
Min. Door Thickness	40mm chart
Router Bit Diameter	24mm

CONTINUOUSLY ADJUSTABLE IN 3 DIMENSIONS

Side	±3 mm
Height	±3 mm
Depth	±1 mm



HG.3D.S.160/120KG.SS



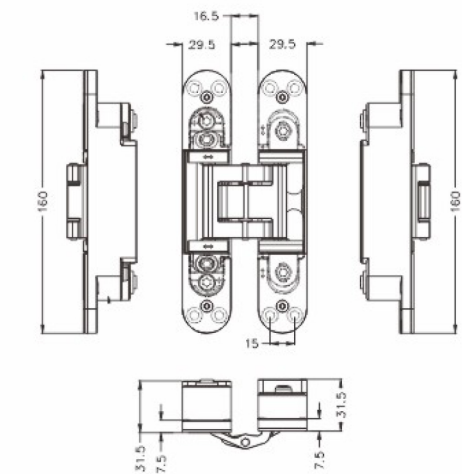
DOOR SPECIFICATIONS

Material	stainless steel
Max.Door Weight	120kg (2 pcs)
Door Thickness	38-60mm
Door Size	width<900mm height<2300mm

ADJUSTMENT

Vertical	±3 mm
Horizontal	±1.5 mm
Depth	±1.5 mm

HINGE PARTS

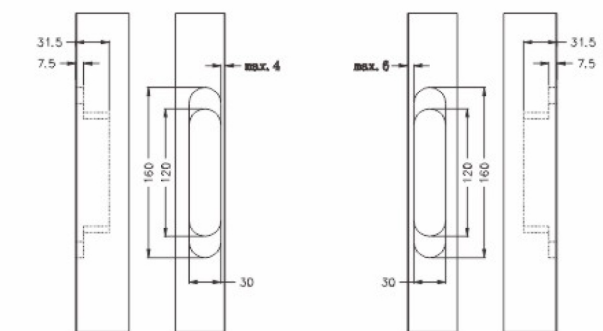
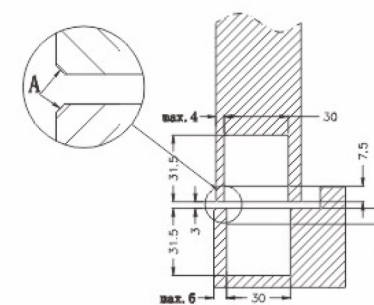


CUT OUT DRAWING

NOTE: The edge of door and frame need to be applied with C1 or R1 processing. (refer to 'A' in the drawing)

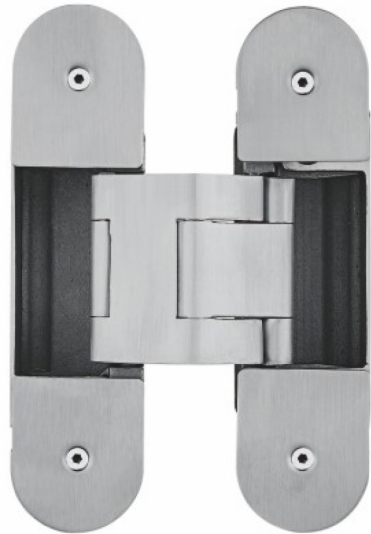
cut out drawing for door side

cut out drawing for frame side



HINGE
SERIES

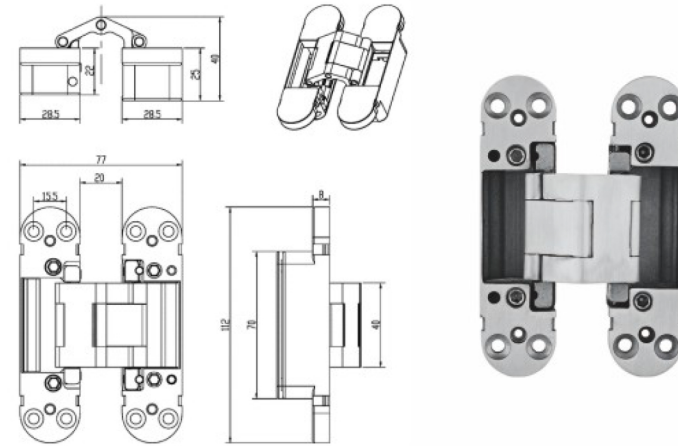
HG.3D.S.112/100KG.SS



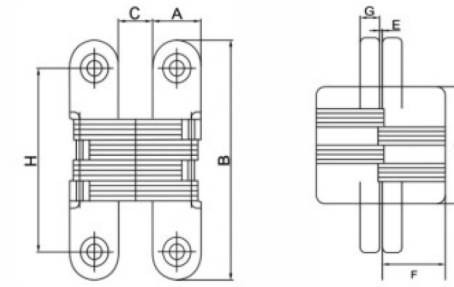
TECHNICAL DETAIL

Load capacity (two hinges per door leaf)	100kg
Overall length	112mm
Width (frame part)	28.5mm
Width (door part)	28.5mm
Cutting depth (frame part)	24mm
Cutting depth (door part)	27mm
Opening angle	180°
Minimum door thickness (timber door)	40mm
Minimum door thickness (steel door)	35mm

Material: stainless steel
Finish: Body: Nature
Cover: Customized (surface treatment for stainless steel)



HG.SZ.ED-02.SN

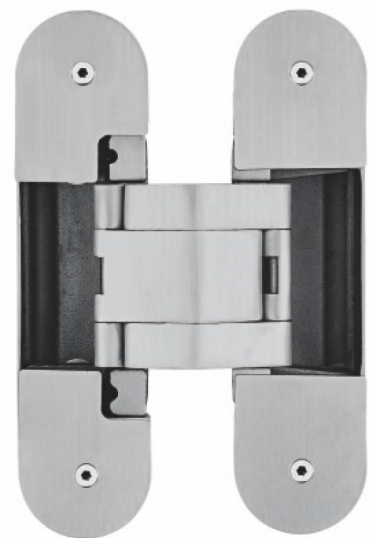


HG.SZ.ED-04''SN-TH

Dimension (mm)	Zinc Alloy Shell Stainless Steel Core Concealed Hinge Parameter										
	34X140	28X118	25X118	19X95	16X70	13X60	13X45	28X118	28X118	28X118	19X118
A	34	28	25	19	16	13	13	28	25	28	19
B	139.5	117.5	117.5	95	70	60	45	117.5	117.5	117.5	95
C	27.5	22	18	13	11	9	9	25	18	22	13
D	74.5	61.5	64	51.2	34	30	19	61.5	64	61.5	51.2
E	1.6	1.4	1.6	1.2	0.8	0.8	0.8	1.4	1.6	1.4	1.2
F	51	41	36	27	22.5	18	18	44	36	41	27
G	11.5	9.5	11	9	7	6	5	12	11.5	9.5	9
H	outer hole 113.5 inner hole 102.5	outer hole 93 outer hole 87	90	73	51	47	30.5	90	90	outer hole 93 inner hole 87	73
Door thickness	50mm	40mm	35mm	30mm	25mm	20mm	20mm	40mm	35mm	40mm	30mm
Each weight g/pc	1400g	785g	650g	310g	160g	85g	55g	800g	630g	1090g	276g
Bearing weight kg/pc	50kg	40kg	30kg	25kg	15kg	10kg	5kg	25kg	30kg	40kg	25kg

Installation: 3pcs for a door, it depends on door thick, weight, and actual situation.

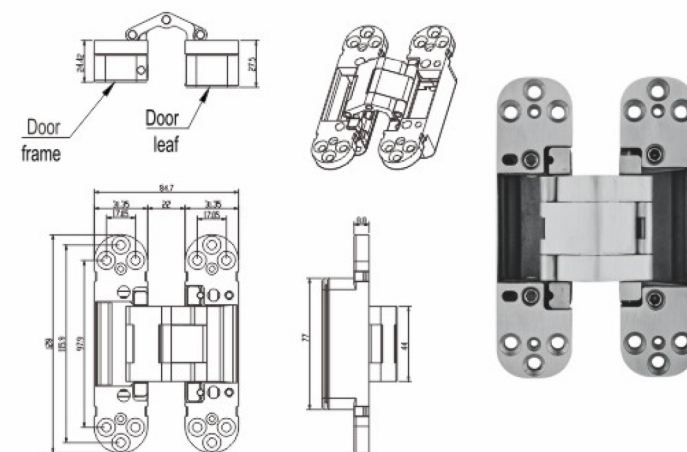
HG.3D.S.128/120KG.SS



TECHNICAL DETAIL

Load capacity (two hinges per door leaf)	120kg
Overall length	128mm
Width (frame part)	32mm
Width (door part)	32mm
Cutting depth (frame part)	26.5mm
Cutting depth (door part)	29mm
Opening angle	180°
Minimum door thickness (timber door)	40mm
Minimum door thickness (steel door)	38mm

Material: stainless steel
Finish: Body: Nature
Cover: Customized (surface treatment for stainless steel)



HG.3D.110MM

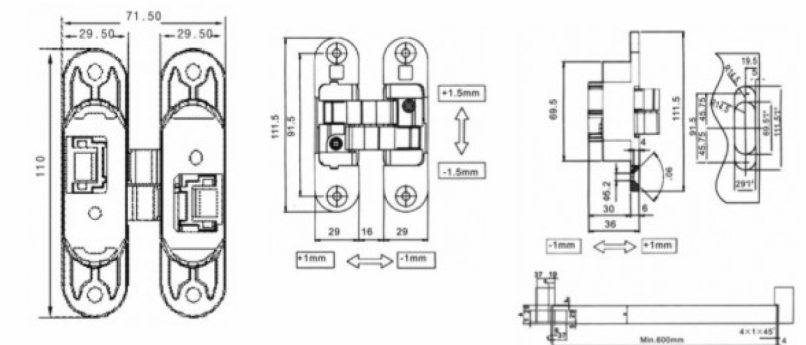


LEFT HAND RIGHT HAND



TECHNICAL DETAIL

Material:	zinc alloy
Finish:	SC, SN, CP, NP, AB, AC, etc.
Area of application:	For wooden frames, for steel frames, for aluminum frames, etc.
Installation:	Door weight : <60 kg with 3 door hinges
Opening angle:	<180°
Door width:	<1000mm
Door thickness:	>=40mm
Door height:	>=2100mm with 4 door hinges
Size:	110mm
Adjustment facility:	Continuously 3D adjustable: Height ±1.5 mm, side and closing pressure ±1 mm
Mounting:	Suitable for DIN left hand, DIN right hand



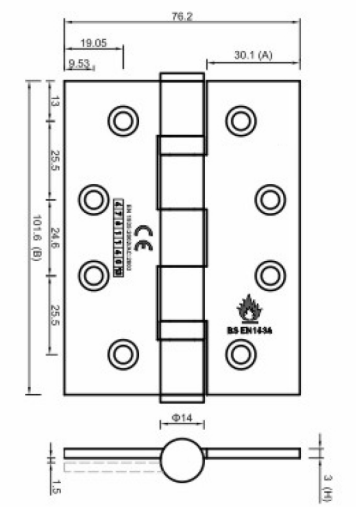


HG.S.403030.SS.2BB.EN

For wooden and metal frames
Material: stainless steel
Finish: SS/DAB/PVD/BLK



CE	Historical Lakes Metal Items and Locks Accessories LLC +971502243980, Dubai, U.A.E	20
	EN 1935:2002/AC:2003	
0905	EN 1935:2002/AC:2003	4 7 6 1 1 4 0 13
Dangerous substances: None		

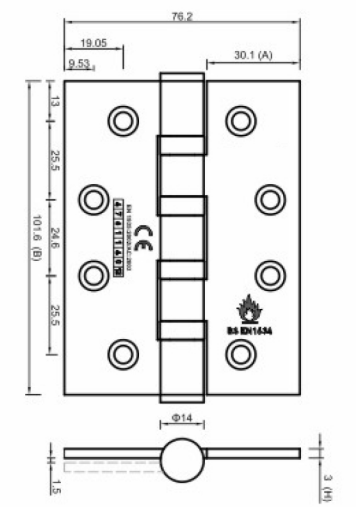


HG.S.403030.SS.4BB.EN

For wooden and metal frames
Material: stainless steel
Finish: SS/DAB/PVD/BLK



CE	Historical Lakes Metal Items and Locks Accessories LLC +971502243980, Dubai, U.A.E	20
	EN 1935:2002/AC:2003	
0905	EN 1935:2002/AC:2003	4 7 6 1 1 4 0 13
Dangerous substances: None		

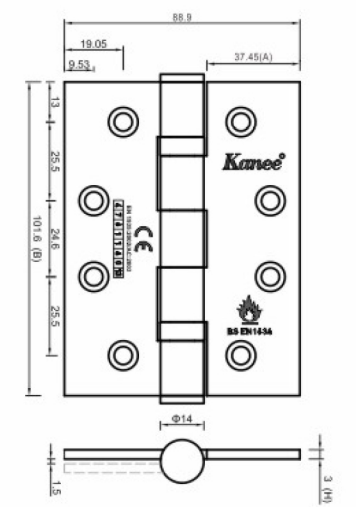


HG.S.403530.SS.2BB.EN

For wooden and metal frames
Material: stainless steel
Finish: SS/DAB/PVD/BLK



CE	Historical Lakes Metal Items and Locks Accessories LLC +971502243980, Dubai, U.A.E	20
	EN 1935:2002/AC:2003	
0905	EN 1935:2002/AC:2003	4 7 6 1 1 4 0 13
Dangerous substances: None		



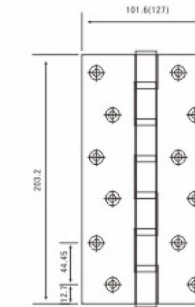
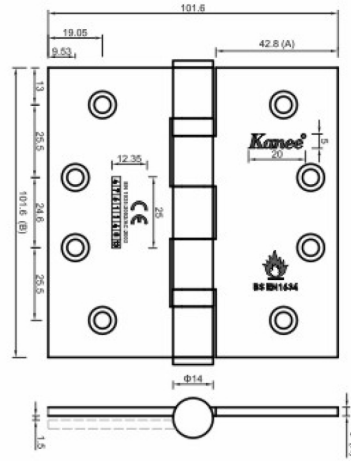


HG.S.404030.SS.2BB.EN

For wooden and metal frames
Material: stainless steel
Finish: SS/DAB/PVD/BLK



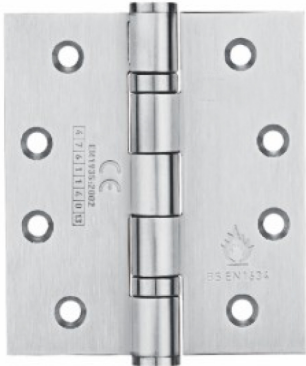
CE	Historical Lakes Metal Items and Locks Accessories LLC +971502243980, Dubai, U.A.E	20
Dangerous substances: None		



HG.S.804035.6BB.SS

Finish:
SS/DAB/PVD/BLK
Material:
Stainless Steel
Available For:
All Kinds Of Wooden Gate Door,
Room Door

Dimension(HxWxT)	Bearing
HG.S.804035.6BB	6BB
HG.S.804040.6BB	6BB
HG.S.805040.6BB	6BB

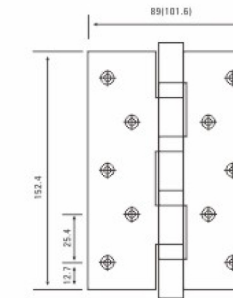
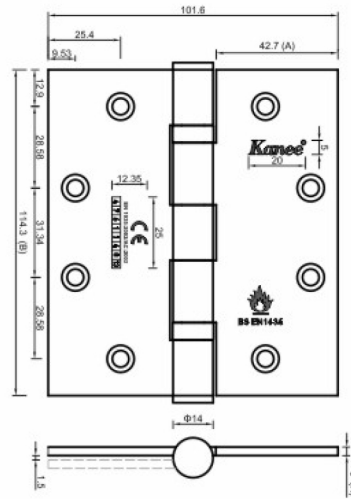


HG.S.454030.SS.2BB.EN

For wooden and metal frames
Material: stainless steel
Finish: SS/DAB/PVD/BLK



CE	Historical Lakes Metal Items and Locks Accessories LLC +971502243980, Dubai, U.A.E	20
Dangerous substances: None		



HG.S.604030.4BB.SS

Finish:
SS/DAB/PVD/BLK
Material:
Stainless Steel
Available For:
All Kinds Of Wooden Gate Door,
Room Door

Dimension(HxWxT)	Bearing
HG.S.603530.4BB	4BB
HG.S.603535.4BB	4BB
HG.S.604030.4BB	4BB
HG.S.604035.4BB	4BB
HG.S.604040.4BB	4BB

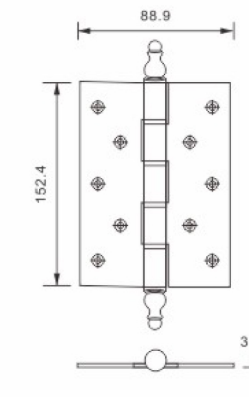
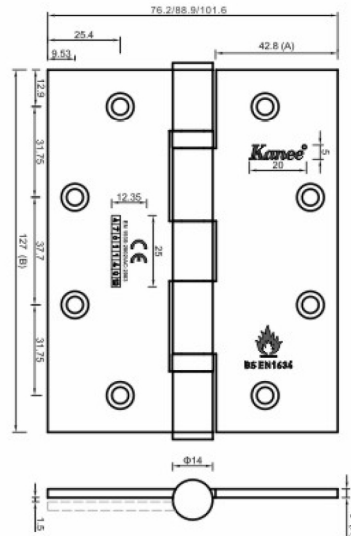


HG.S.503030.SS.2BB.EN
HG.S.503530.SS.2BB.EN
HG.S.504030.SS.2BB.EN

For wooden and metal frames
Material: stainless steel
Finish: SS/DAB/PVD/BLK



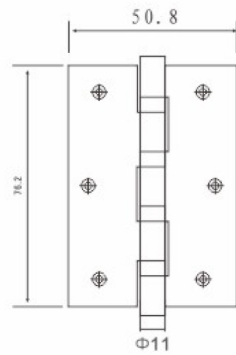
CE	Historical Lakes Metal Items and Locks Accessories LLC +971502243980, Dubai, U.A.E	20
Dangerous substances: None		



HG.603530.4BB.CHP.PVD

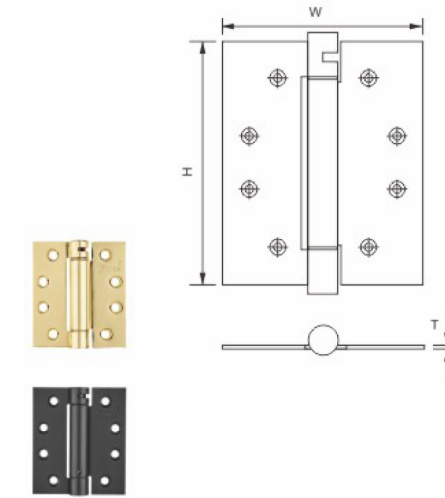
Finish:
SS/DAB/PVD/BLK
Material:
Stainless Steel
Available For:
All kinds of wooden gate door, room door
FEATURES:
Switching flexibility, No noise, Long life

Dimension(HxWxT)	Bearing
HG.S.403030.CHP	4BB
HG.S.503530.CHP	4BB
HG.S.603530.CHP	4BB



HG.S.302020.2BB.SS

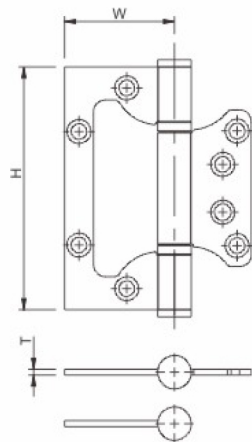
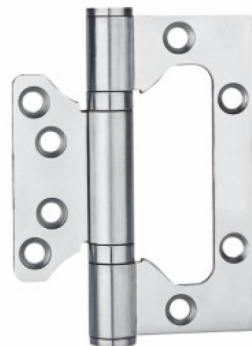
Finish:
SS/DAB/PVD/BLK
Material:
Stainless Steel
Available For:
All Kinds Of Wooden Gate Door,
Room Door



HG.I.SPH403530.SN

Finish:
SS/DAB/PVD/BLK
Material:
Steel
Available for:
All kinds of wooden gate door, room door
FEATURES:
Switching flexibility, No noise, Long life

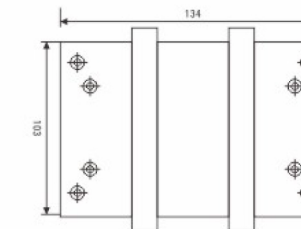
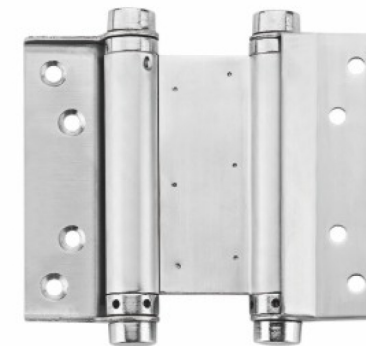
Dimension(HxWxT)	Dimension(HxWxT)
4"x3"x2.0mm	4"x4"x2.5mm
4"x3"x3.0mm	4"x4"x2.7mm
4"x3.5"x3.0mm	4"x4"x3.3mm
4"x4"x3.0mm	4.5"x4"x3.4mm
	4.5"x4.5"x3.4mm



HG.S.BFH.403025.SS

Finish:
SS/DAB/PVD/BLK
Material:
Stainless Steel
Available For:
All Kinds Of Wooden Gate Door,
Room Door

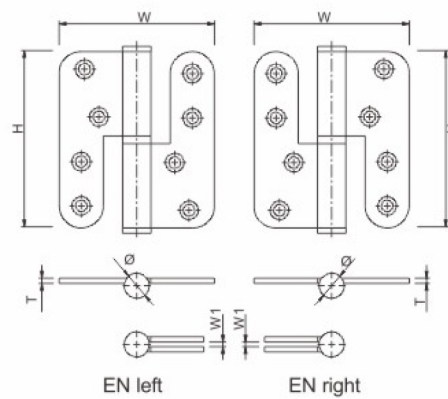
Dimension(HxWxT)	
4.0"x3.0"x2.5mm	
4.0"x3.0"x3.0mm	
4.0"x3.5"x3.0mm	



HG.S.DA.4"x2mm.SS

Finish:
SS/DAB/PVD/BLK
Material:
Stainless Steel
Available For:
All Kinds Of Wooden Gate Door,
Room Door

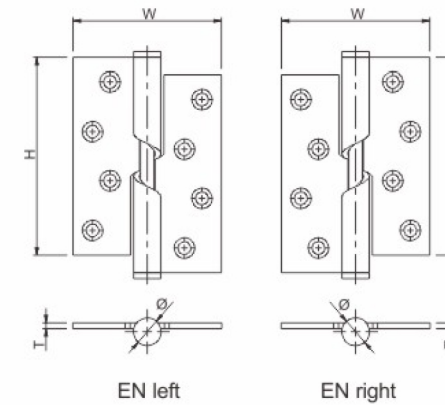
Dimension(HxWxT)	Bearing
4"x2mm	/



HG.S.HH.100x86x3.SS

Finish:
SS/DAB/PVD/BLK
Material:
Stainless steel
Available for:
All kinds of wooden gate door, room door
Features:
Switching flexibility, No noise, Long life

Dimension(HxWxT)	
100x86x3.0mm	



HG.S.UD.403030.SS

Finish:
SS/DAB/PVD/BLK
Material:
Stainless steel
Available for:
All kinds of wooden gate door, room door
Features:
Switching flexibility, No noise, Long life

Dimension(HxWxT)	
4"x3"x2.0mm	
4"x3"x3.0mm	
3"x2.5"x2.0mm	



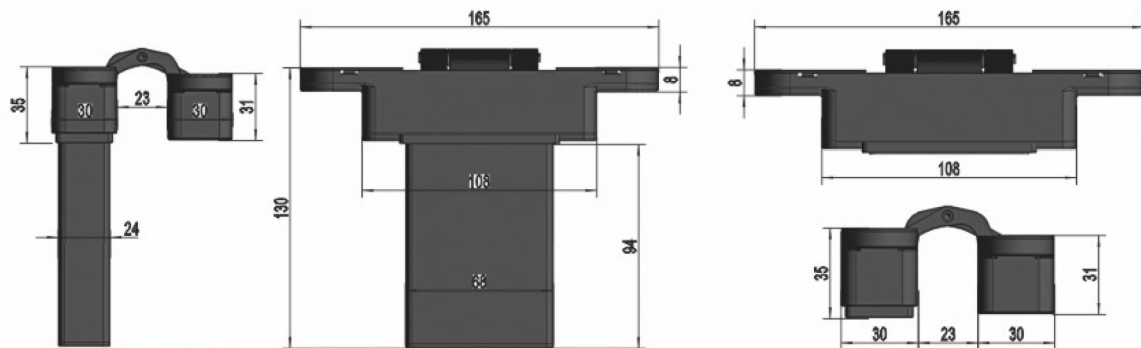
EDA-20 BLK
Load capacity: 2pcs 60kg

Finish:
OX/SG/DAB/DAC/BLK
Main material:
zinc alloy
Surface treatment:
matte black



EDA-20 BLK
Load capacity: 3pcs 80kg

Finish:
OX/SG/DAB/DAC/BLK
Main material:
zinc alloy
Surface treatment:
matte black



DS.Z.3891.CP



DS.Z.3891.MSN



DS.Z.3891.MBS



DS.Z.3891.COF



DS.Z.3891.PVD



DS.Z.3891.BLK

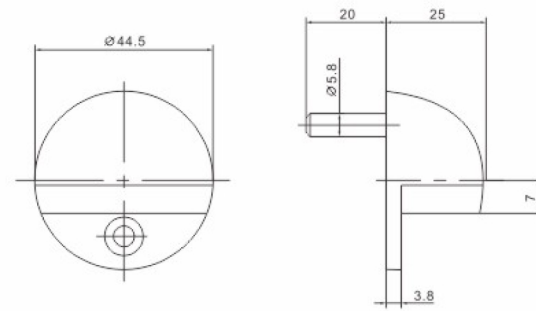


ACCESSORIES
SERIES



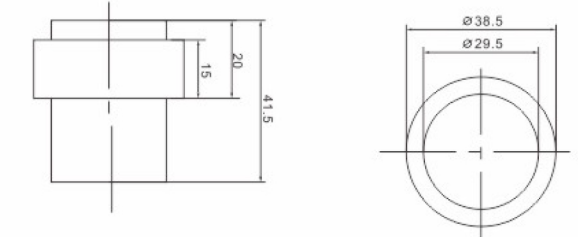
DS.Z.3704.SN

Material:
Zinc alloy/Stainless steel
Finish:
SN/SS/AB/AC/GP/CP



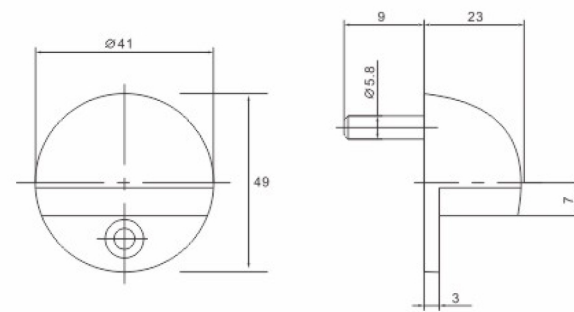
DS.S.3801.SS

Material:
Stainless steel
Finish:
SS/PSS



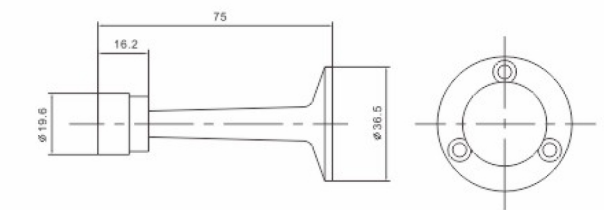
DS.Z.3710.SN

Material:
Zinc alloy
Finish:
SN/AB/AC/GP/CP



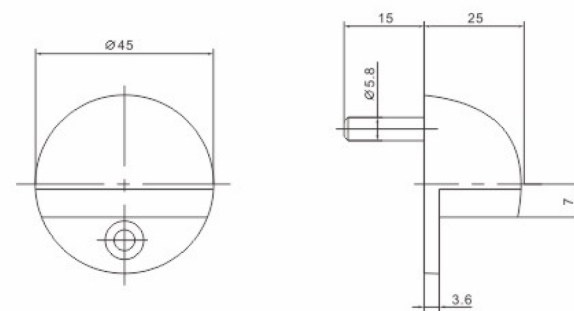
D3705 SN

Material:
Zinc alloy
Finish:
SN/AB/AC/GP/CP



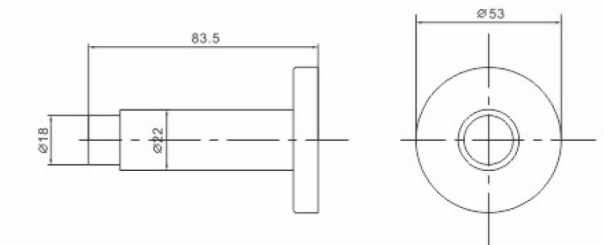
DS.Z.3720.SN

Material:
Zinc alloy
Finish:
SN/AB/AC/GP/CP



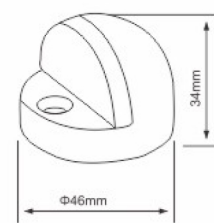
D3817 SS

Material:
Stainless steel
Finish:
SS



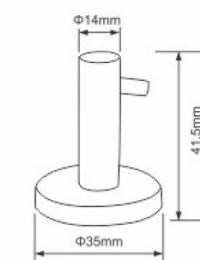
DS.S.3730.SS

Material:
Stainless Steel/Zinc Alloy
Finish:
SS/SN



D.S.3810.SS.HOOK

Material:
Stainless Steel
Finish:
SS

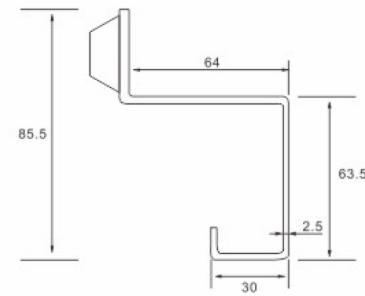


ACCESSORIES
SERIES



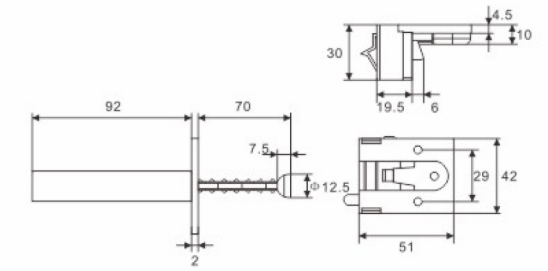
D3820 SS

Material:
Stainless steel
Finish:
SS



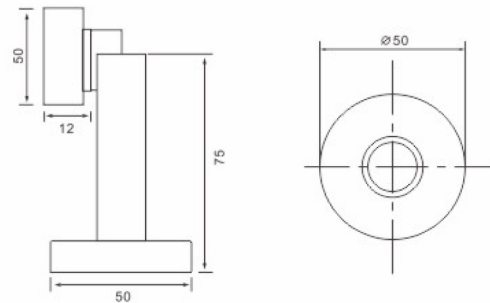
DS.Z.3825.SN

Material:
Zinc alloy/Stainless steel
Finish:
SN/SS



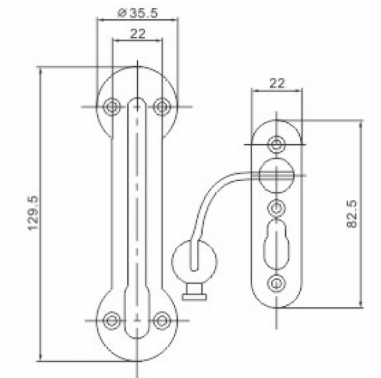
D.Z.3850.SN

Material:
Zinc alloy
Finish:
SN



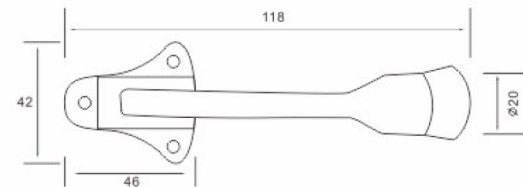
DCH.3805.SN.Z

Material:
Zinc alloy/Stainless steel
Finish:
SN/SS/AB/AC/GP



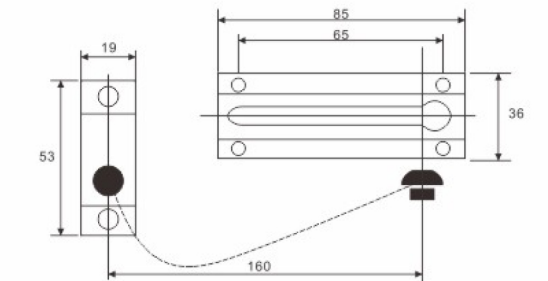
D3852 SC

Material:
Zinc alloy
Finish:
SC/SN/AB/AC



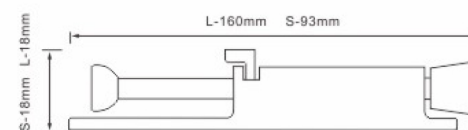
D3816 PB

Material:
Brass/Stainless steel
Finish:
SN/SS/AB/AC/PB



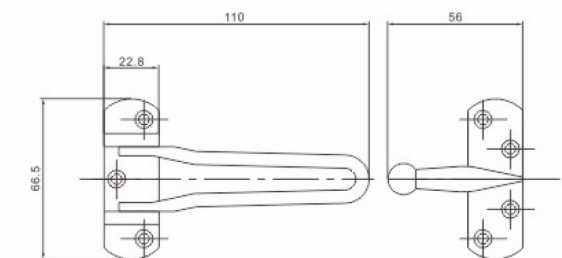
D3853 SN

Material:
Zinc alloy
Finish:
SN/AB/AC/GP

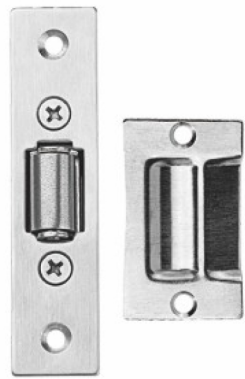


DS.Z.3806.SN

Material:
Zinc alloy/Stainless steel
Finish:
SN/SS/AB/AC/GP

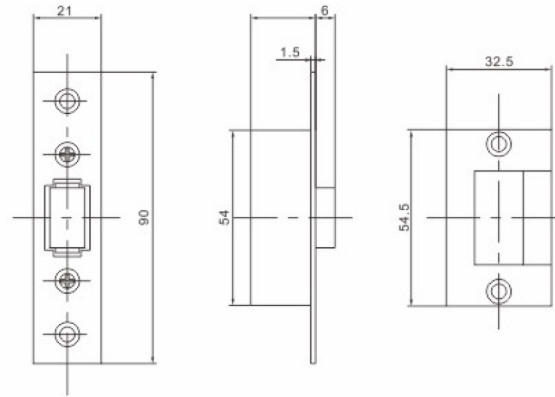


ACCESSORIES
SERIES



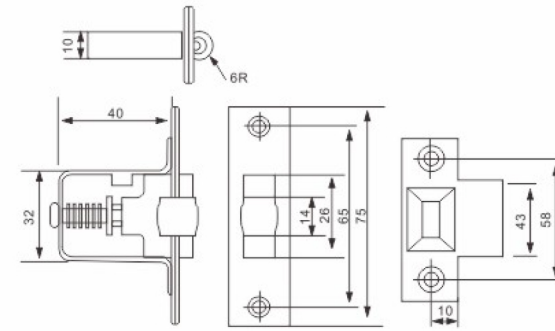
SB-201 SS

Material:
Stainless steel
Finish:
SS



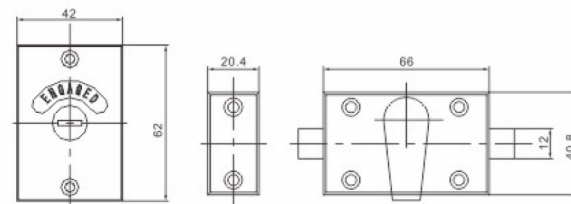
SB-202 SS

Material:
Stainless steel
Finish:
SS



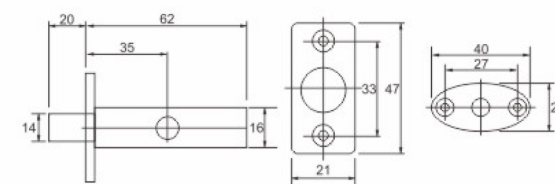
D3707 SN

Material:
Zinc alloy/Stainless steel
Finish:
SN/SS



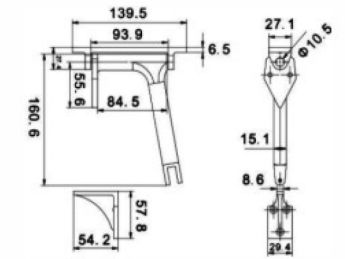
D3737.SS

Material:
Stainless Steel
Finish:
SS



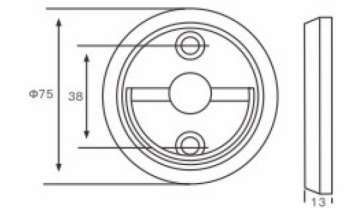
D3740.SS

Scope of application:
double doors, fire doors, access doors
Material:
304 stainless steel casting
Applicable door weight: 40-180KG
(adjustable strength)
Function:used to control the closing
sequence of the master/slave door to
ensure that the active door is closed
after the slave door.
Surface treatment:
sanding, red, green, PVD, etc.



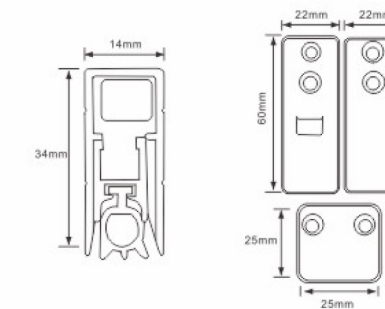
D.7001.SS

Material:
Stainless Steel
Finish:
SS



FC-11.SIL

Product:automatic drop down bottom seal U shape
Material:aluminum alloy frame, rubber seal
Color:silver aluminum alloy
Length:930mm, 1030mm, 1200mm,1400mm
Application :for kinds of aluminum alloy doors, wooden doors at home, hospital, school,hotel etc.
Features:It's a type wear resistant, excellently elastic, anti-aging door bottom seal strip
Easy to install, without prejudice to the opening and closing of the door Won't wear out the ground

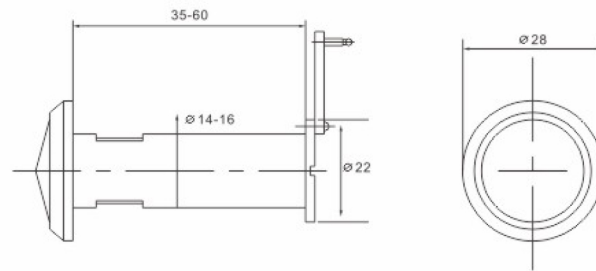


ACCESSORIES
SERIES



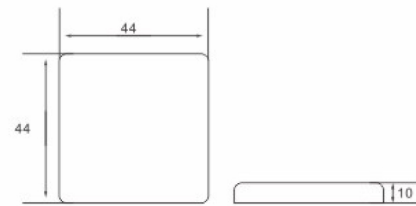
DV.B.05.SC

Material:
Zinc alloy/Brass
Finish:
SC/SN/AB/AC/GP



DS.P.3700.GR

Material:
Rubber with 3M sticker
Finish:
WH/BLK/GR



SPINDLE HX 8*60



SPINDLE 8*8*100



SPINDLE TAIL ROUND
8*32



SPINDLE HALF 8*70



SPINDLE 8*CROSS*100



WS.S.B001.SS



WS.S.HG90.SS



WS.S.B001.SS



WS.S.HK86.SS



WS.S.CH01.SS



WS.S.KN45.SS



WS.S.FT100.SS

ACCESSORIES
SERIES



D3802.B.SN

Material:
Brass/SS/Zinc
Finish:
SN/SS

DS.M.3818.SN

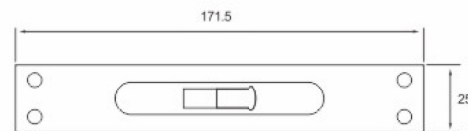
Material:
Stainless steel
Finish:
SN/SS



FB.B.038.SC

Material:Brass
Finish:SN/SC

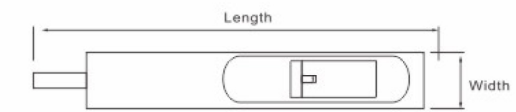
Stainless Steel flush bolt	
Length	171.5
Width	25



FB.Z.8.034.SN

Material:
Brass/Zinc alloy
Finish:
SN/SC/AB/AC/PB/SB

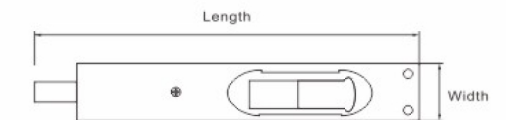
Brass flush bolt	
Length	6" ,8" ,10" ,12"
Width	1"



FB.S.037.SS

Material:
Stainless steel
Finish:
SS

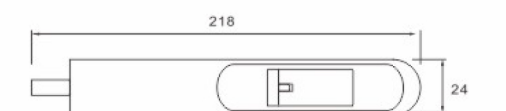
Stainless Steel flush bolt	
Length	6" ,8" ,10" ,12"
Width	1"



FB.Z.8.044.MAB

Material:
Zinc alloy
Finish:
SN/MAB/AC/GP/CP

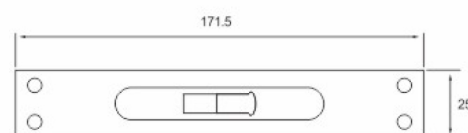
Brass flush bolt	
Length	8"
Width	1"



FB.S.040.SS

Material : Stainless Steel
Finish:SS

Stainless Steel flush bolt	
Length	171.5 171.5
Width	25 30

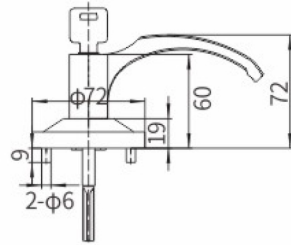


PANIC EXIT
SERIES



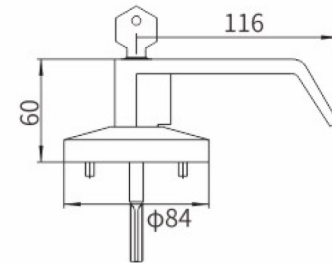
PB.L.7000

Zinc Alloy
Three Computer Brass keys
Brass Cylinder
Finish: SN
Round Panel: 68mm
Max Door Thickness: 55mm
Plate: Square



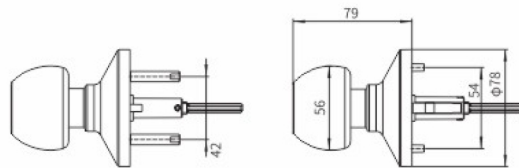
PB.L.8000

StainLess Steel 304 / Zinc Alloy
Three Brass keys
Finish: SS/MSC
Round Panel: 84mm
Max Door Thickness: 55mm
Plate: Round



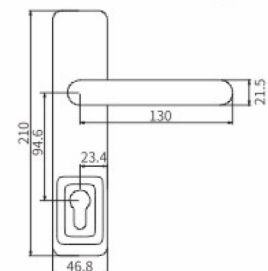
PB.L.5000

StainLess Steel 304
Three SC Brass Keys
SC Brass Cylinder
Finish: SS
Knob Set
Max Door Thickness: 55mm
Clutch Function
Entry Knob



PB.L.9000

Sus 304 body
Sus304 Lever
Cylinder Size: 40mm
Brass Cylinder
Three Brass Keys
Max Door Thickness: 75mm
Finish: SS



ZINC ALLOY
HANGING RAIL SERIES



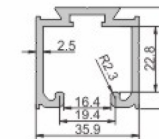
YMG.003

Product Features:

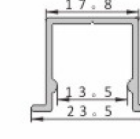
The use of hydraulic dampers Double-side cushioning effect is good; concave wheel anti-swing, automatic dust removal, easy to push and pull; quick-disassembly structure, fast and easy repair.

Technical Summary:

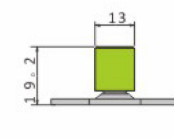
Main Material: Deep groove ball bearing, Zinc (aluminum) alloy, Steel
Finish: Pearl Chrome
Types of: Wood door
Weight Capacity: 80kg S/Door
Packing: Paper Box Packed, 20 Sets/ Carton



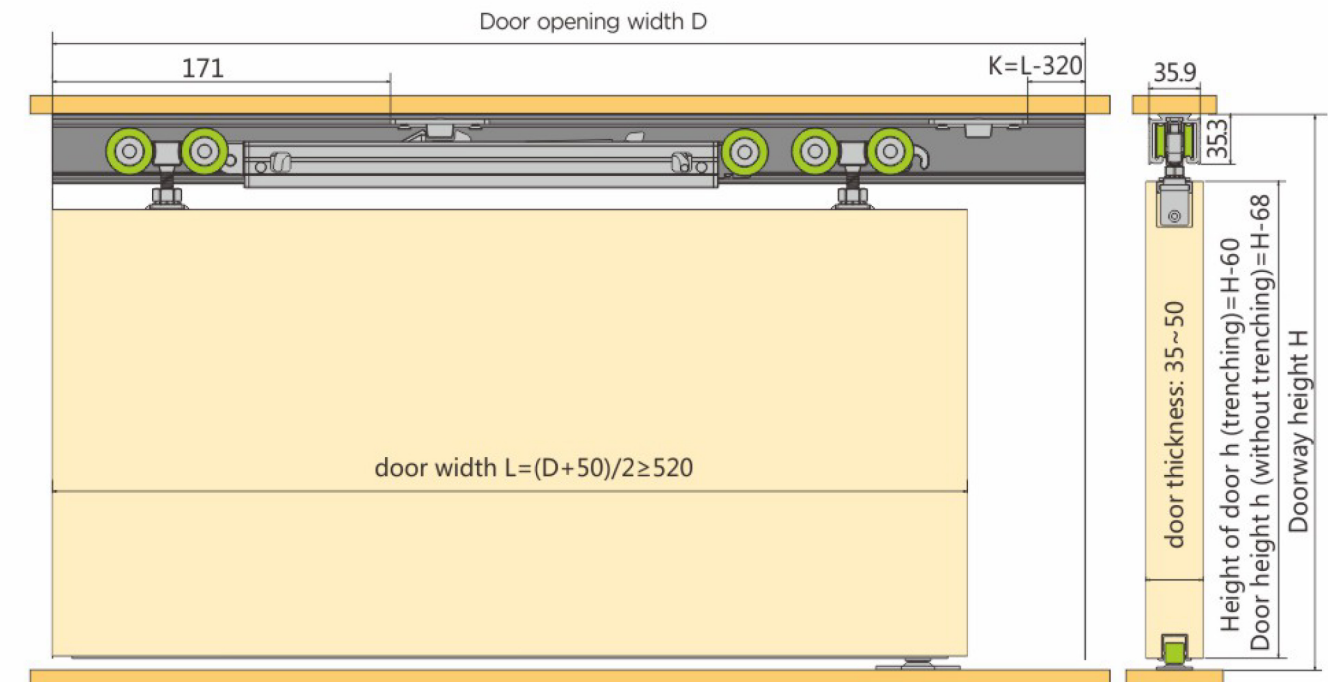
Sling rail
(H-042)



Bottom rail
(H-016)



Bottom rail
(D-X05)



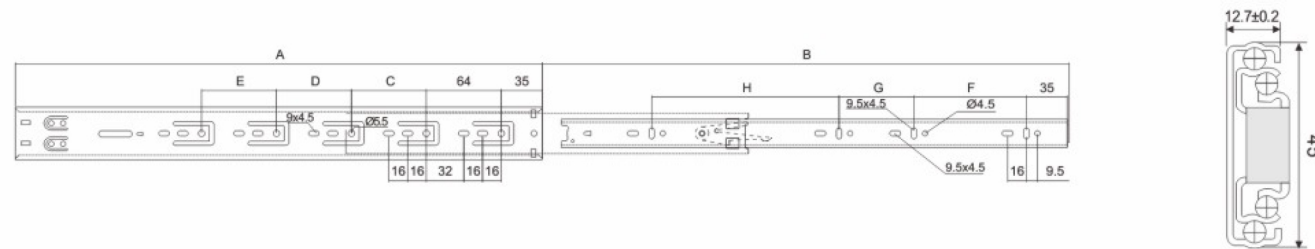


TX.451202.RT

Width: 45mm
 Material: cold-rolled steel
 Length: 300-600mm (12"-24")
 Thickness: 12.7±0.2mm
 Maximum load: 30kg- 45kg
 The installed forms: drawer side
 Surface treatment: electrophoresis black, electro-galvanized
 Soope: Cabinet/Home furniture/Office furniture/Decoration project etc

Thickness Range .

NO	Material thickness
1	1.1x1.2x1.4mm
2	1.0x1.0x1.2mm



SIZE	A	B	C	D	E	F	G	H
LS4502-300	300	290				96	120	
LS4502-350	350	350	64			128	128	
LS4502-400	400	400	96			128	160	
LS4502-450	450	450	96	64		96	64	160
LS4502-500	500	500	96	96		128	64	192
LS4502-550	550	550	96	196	64	160	64	224
LS4502-600	600	600	96	196	96	160	64	256

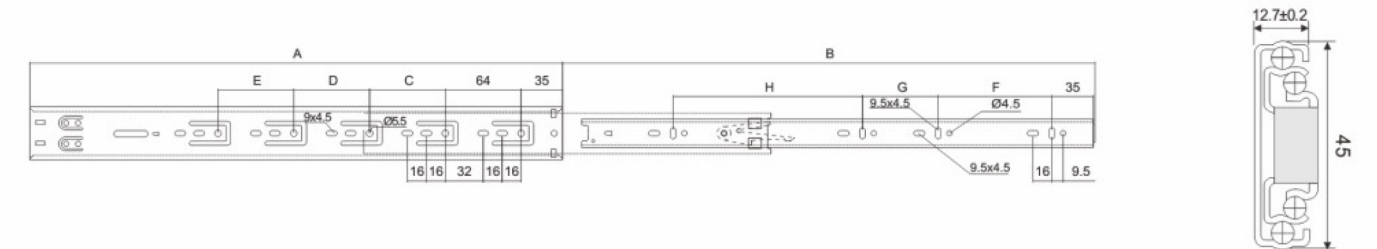


TX.451201.BF

Width: 45mm
 Material: cold-rolled steel
 Length: 300-600mm (12"-24")
 Thickness: 12.7±0.2mm
 Maximum load: 30kg- 45kg
 The installed forms: drawer side
 Surface treatment: electrophoresis black, electro-galvanized
 Soope: Cabinet/Home furniture/Office furniture/Decoration project etc

Thickness Range .

NO	Material thickness
1	1.1x1.2x1.4mm
2	1.0x1.0x1.2mm



SIZE	A	B	C	D	E	F	G	H
LS4502-300	300	290				96	120	
LS4502-350	350	350	64			128	128	
LS4502-400	400	400	96			128	160	
LS4502-450	450	450	96	64		96	64	160
LS4502-500	500	500	96	96		128	64	192
LS4502-550	550	550	96	196	64	160	64	224
LS4502-600	600	600	96	196	96	160	64	256

HINGE SERIES



HG.F.T002.A

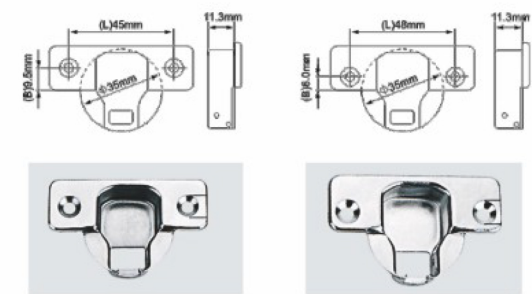


HG.F.T002.B

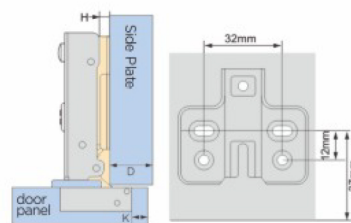


HG.F.T002.C

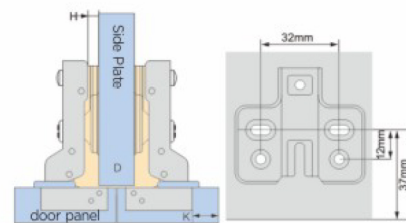
Diameter of hinge cup: 35mm
 Material: cold-rolled steel
 Hole distance of hinge cup: 48mm/45mm
 Depth of hinge cup: 11.3mm
 Opening angle: 100-110°
 Finish: electrolysis
 Door thickness: 14-18mm



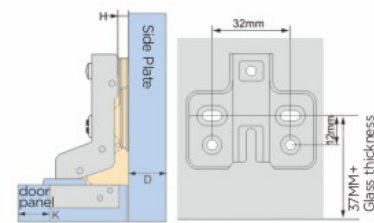
H=Height of mounting plate
 K=Drilling distance from the edge of door to edge of the hole
 D=Required door overlay
 A=Gap between door and side panel
 L=Gap between door and carcass
 T=Door thickness



D	K	3	4	5	6	7
H=0		16	17	18	19	20
H=3		13	14	15	16	17



D	K	3	4	5	6	7
H=0		7	8	9	10	11
H=3		4	5	6	7	8

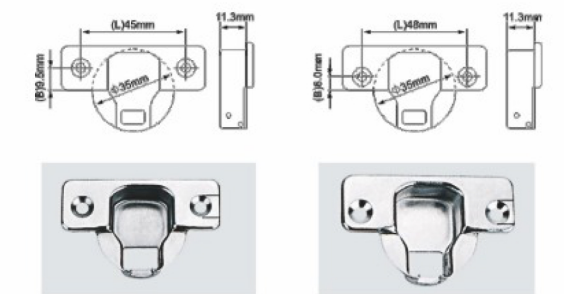


D	K	3	4	5	6	7
H=0		-2.5	-1.5	-0.5	0.5	1.5

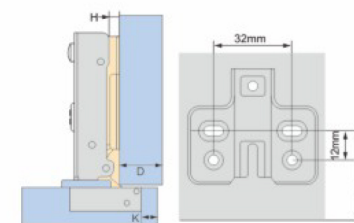


HG.F.T003.A

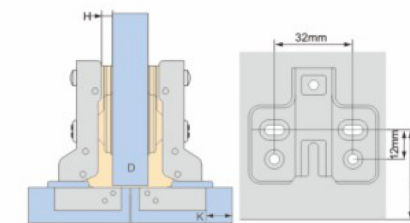
Diameter of hinge cup: 35mm
 Material: cold-rolled steel
 Hole distance of hinge cup: 48mm/45mm
 Depth of hinge cup: 11.3mm
 Opening angle: 100-110°
 Finish: electrolysis
 Door thickness: 14-18mm



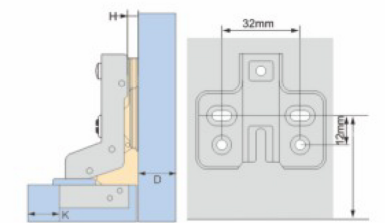
H=Height of mounting plate
 K=Drilling distance from the edge of door to edge of the hole
 D=Required door overlay
 A=Gap between door and side panel
 L=Gap between door and carcass
 T=Door thickness



D	K	3	4	5	6	7
H=0		16	17	18	19	20
H=3		13	14	15	16	17

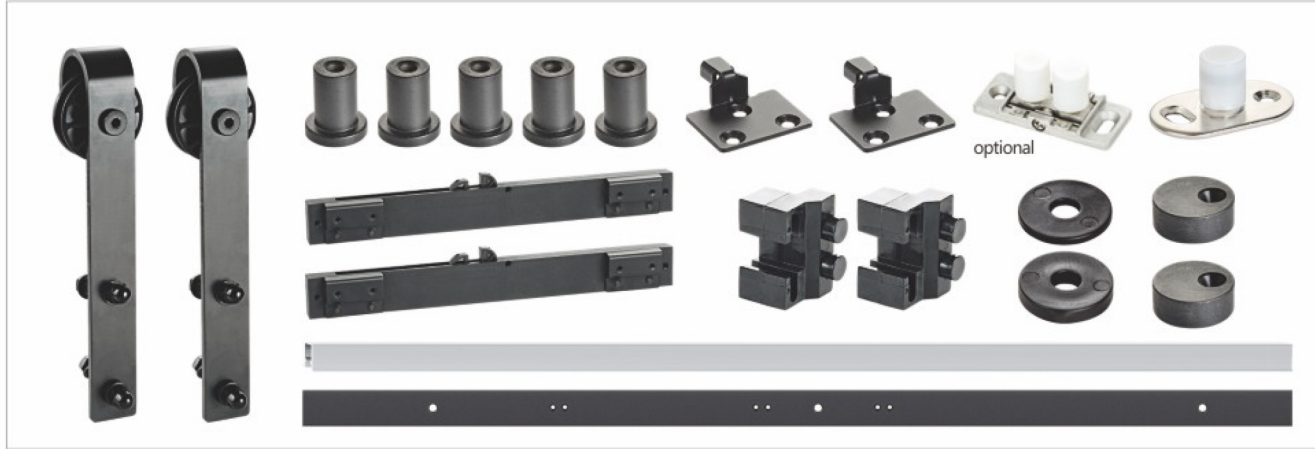


D	K	3	4	5	6	7
H=0		7	8	9	10	11
H=3		4	5	6	7	8



D	K	3	4	5	6	7
H=0		-2.5	-1.5	-0.5	0.5	1.5

YMG.010



Part Configuration Chart

Suitable for doorway width		≤0.7m	≤0.85m	≤1.25m	≤1.45m
Accessory Name	3D picture reference	1.5m Single door usage	2.0m Single door usage	2.5m Single door usage	3.0m Single door usage
tackle		2	2	2	2
railroad track 1		1	1	1	1
railroad track 2		1	1	1	1
Fixed seat (optional)	L=35mm L=45mm	4	5	6	8
anti-jumping device		2	2	2	2
limit switch		2	2	2	2
shock absorbers		2	2	2	2
Damping stops		2	2	2	2
lower locating wheel		1	1	1	1
Rail end caps		2	2	2	2
Kits (sets)		1	1	1	1
Patented adjustable lower guide wheel	optional	1	1	1	1
gaskets	T=2.5mm T=5mm	4	5	6	8

Product Features:

Aluminum alloy round track and concave wheel structure, smooth sliding, ultra-quiet; hydraulic damper, cushioning effect is remarkable, feel light, stable; adjustable under the positioning, convenient installation debugging and maintenance; multi-combination, modular process, easy to install and wide range of applications.

Technical Summary:

Main Material: Deep groove ball bearing, Steel, Nylon
 Finish: Oxidized black
 Types of: Wood door
 Door thickness: 35mm-40mm
 Weight Capacity: 80kg
 Packing: Paper Box Packed

